

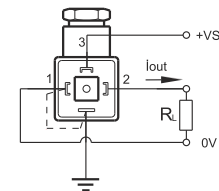
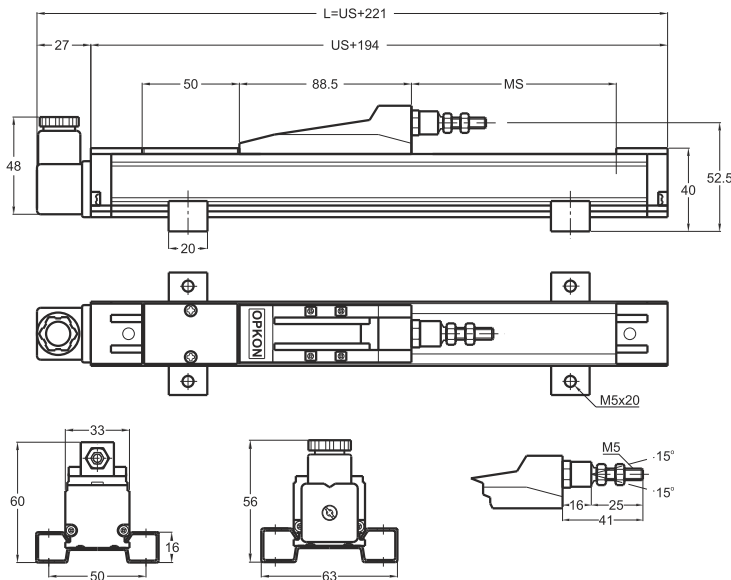
Linear Potentiometer Internal Voltage / Current Conditioner Circuit

- Internal electronic circuit
- Measuring range 100 - 1750 mm
- Output 4-20mA, 0-20mA or 0-10V
- Very low temperature drift
- Very stable output signal
- Excellent repeatability

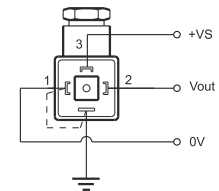


Technical specifications

Measurement stroke	100 to 1750 mm
Linearity	± %0,05
Repeatability	< 0.01 mm
Resolution	Infinite
Output	4-20mA, 0-20mA or 0-10V
Permissible applied voltage	15 - 30 VDC
Electrical connections	4 pin connector
Displacement speed	< 1,5 m/s
Mechanical life	100 million cycles
Case dimensions	33 mm x 33 mm
Case material	Anodized aluminium
Rod diameter	Ø6 mm
Rod material	Stainless steel
Mechanical fixing	Variable brackets
IP degree	IP 40 - If mounted upside down IP 53
Operating temperature	-20°C ... +80°C
Storage temperature	-30°C ... +90°C



0-20mA, 4-20mA Output



0-10V Output

ELPH (mm)	100	125	130	150	175	200	225	250	275	300	325	350	375	400	450	500	550	600	650	700	750	800	850	900	1000	1250	1500	1750
US (Usefull Stroke)	100	125	130	150	175	200	225	250	275	300	325	350	375	400	450	500	550	600	650	700	750	800	850	900	1000	1250	1500	1750
MS (Mechanical Stroke)	104	129	134	154	179	204	229	254	279	304	329	354	379	404	454	504	554	604	654	704	754	804	854	904	1004	1254	1504	1754
L (Total Length)	321	346	351	371	396	421	446	471	496	521	546	571	596	621	671	721	771	821	871	921	971	1021	1071	1121	1221	1471	1721	1921

Model	Measurement stroke (mm)	Linearity (%)	Output	Connector / Cable
(example) ELPH	500	D	V10	C1
ELPH	100 ... 1750mm	D : ± %0,05 (standard)	V10 : 0-10V I 04 : 4-20mA I 20 : 0-20mA	C1 : 4 pin connector