

ELECTRICAL OPTIONS/ SPECIFICATIONS

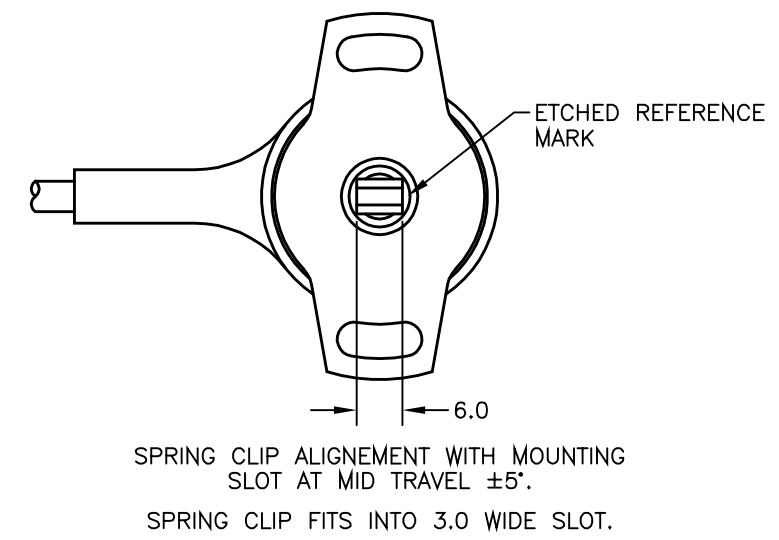
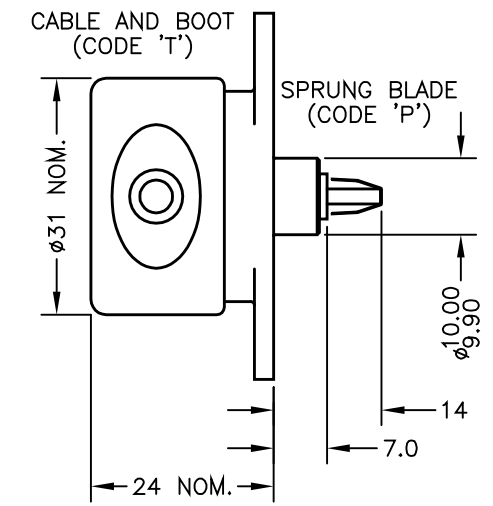
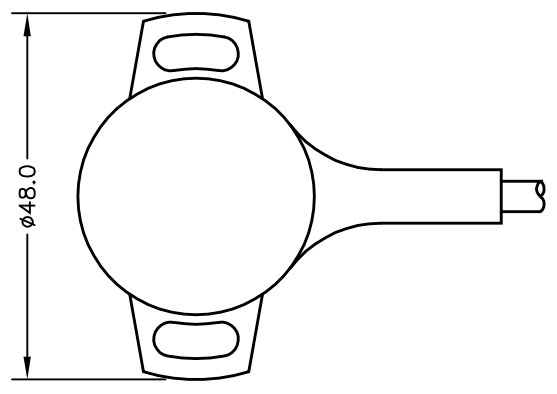
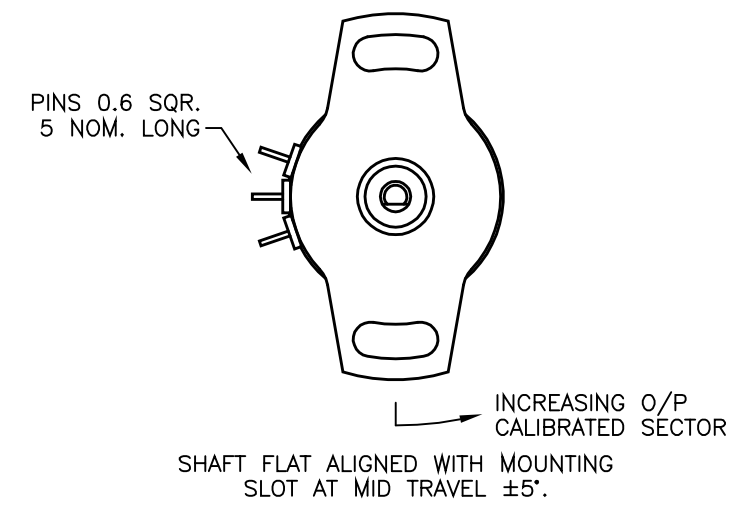
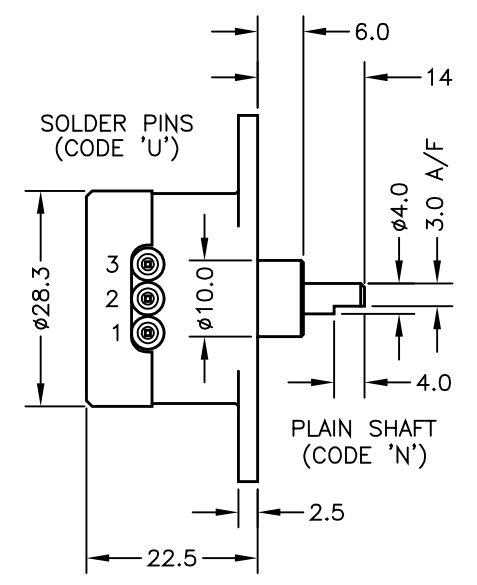
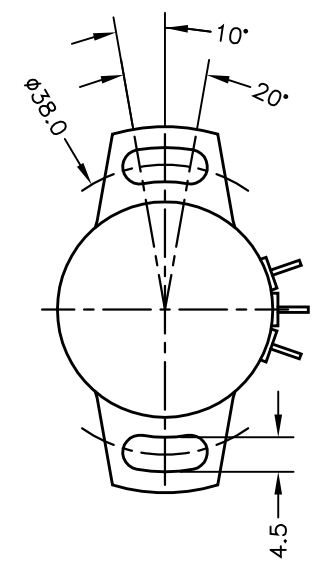
OUTPUT SUPPLY
 CODE 'A' 0.5 TO 4.5V RATIO METRIC 5V
 SUPPLY CURRENT 12mA TYP. 20mA MAX.

CABLE: 3 CORE 0.2mm², O/A SCREEN, Ø4mm PUR JACKET
 - SUPPLIED WITH 50cm OR REQUIRED LENGTH IN cm.
 e.g. 'L50'

CONNECTIONS:
 3 CORE PINS
 RED '1' +Ve
 BLACK '2' 0V
 WHITE '3' OUTPUT
 SCREEN BODY

RANGE OF DISPLACEMENT FROM 0-30° TO 0-140° e.g. 76°,
 IN INCREMENTS OF 1°.

BODY MATERIAL:- ALUMINIUM ALLOY.

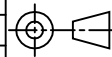
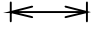


H	REDRAWN	PDM
I	BOSS Ø10.00 ADDED	PDM
J	ADDITIONAL DIMS/VIEWS ADDED.	PDM
K	RANGE NOTE AMENDED ~ RAN1200	PDM



DRAWINGS NOT TO BE CHANGED WITHOUT REFERENCE TO THE CHANGE PROCEDURE.
 CHANGES TO PARTS USED IN INTRINSICALLY SAFE PRODUCT MUST BE APPROVED
 BY THE AUTHORISED PERSON
 THIS IS AN UNCONTROLLED PRINT AND WILL NOT BE UPDATED.



H	19/10/06		CHECKED BY	X	±0.4
I	15/01/09		RDS	X.X	±0.2
J	06/07/11			X.XX	±0.1
K	11/09/17				DIMS mm
		DESCRIPTION			
		P501 RIPS MINIATURE ROTARY SENSOR			
SCALE		DRAWING NUMBER			
10mm		P501-11		REV	K
				SHEET	1 OF 1