

OUTPUT OPTION	OUTPUT	SUPPLY
A	0.5 TO 4.5V RATIO METRIC	5V
C	0.5 TO 9.5V	24V
G	0.5 TO 4.5V	24V
H	4 TO 20mA	24V

STANDARD }
BUFFERED }

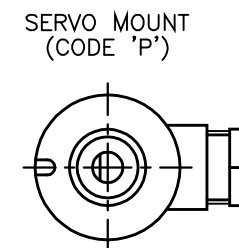
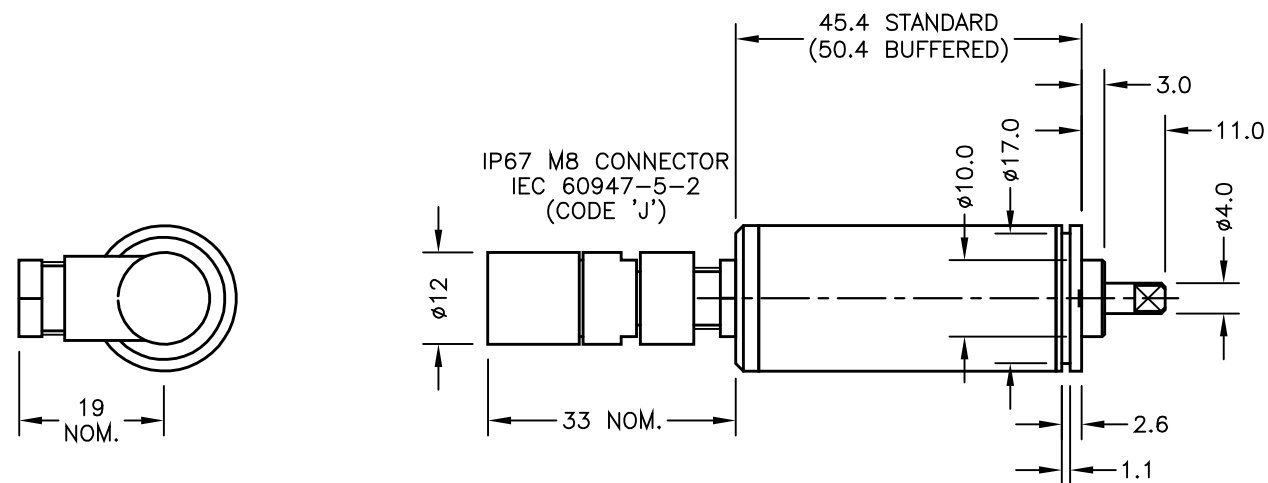
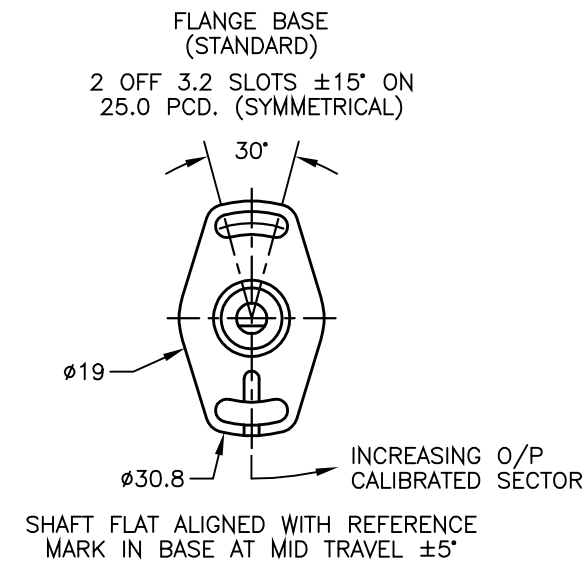
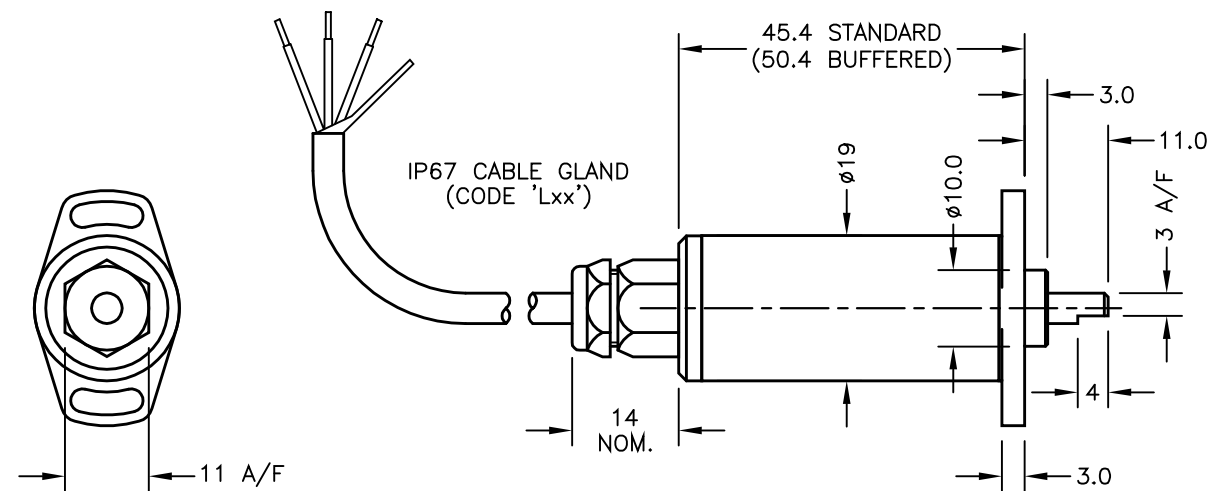
SUPPLY CURRENT 12mA TYP. 20mA MAX. PLUS O/P CURRENT
 CABLE: 0.2mm², O/A SCREEN, PUR JACKET - SUPPLIED
 WITH 50cm OR REQUIRED LENGTH IN cm. e.g. 'L50'
 3-CORE: JACKET ϕ 4mm

CABLE/CONNECTOR* CONNECTIONS;
 3 CORE CONNECTOR

RED	:1	+Ve
BLACK	:3	0V
WHITE	:2	OUTPUT
SCREEN	:4	BODY

*CONNECTORS; MAXIMUM CONDUCTOR CROSS SECTION 0.25mm²
 RANGE OF DISPLACEMENT FROM 0-15° TO 0-160° e.g. 76°,
 IN INCREMENTS OF 1°.

BODY MATERIAL: STAINLESS STEEL.
 FLANGE BASE MATERIAL:- ALUMINIUM.
 SERVO MOUNT MATERIAL:- ALUMINIUM.



D	SHAFT LENGTH REDUCED 0.5 - RAN538.	PDM
E	SERVO MOUNT SHOWN AT MID POSITION	RDS
F	OPTION 'J' ADDED - RAN1068.	PDM
G	RANGE NOTE AMENDED ~ RAN1200	PDM
H	4 TO 20mA ADDED RAN1256	RDS



DRAWINGS NOT TO BE CHANGED WITHOUT REFERENCE TO THE CHANGE PROCEDURE.
 CHANGES TO PARTS USED IN INTRINSICALLY SAFE PRODUCT MUST BE APPROVED
 BY THE AUTHORISED PERSON
 THIS IS AN UNCONTROLLED PRINT AND WILL NOT BE UPDATED.

POSITEK

 LIMITED

D	21/01/15		CHECKED BY	X	±0.4
E	7/4/15		-	X.X	±0.2
F	02/12/15			X.XX	±0.1
					DIMS mm
G	12/09/17	DESCRIPTION			
H	12/09/18	P505 RIPS MINIATURE ROTARY SENSOR			
SCALE		DRAWING NUMBER			
5mm		P505-11		REV	H
		SHEET		1	OF 1