

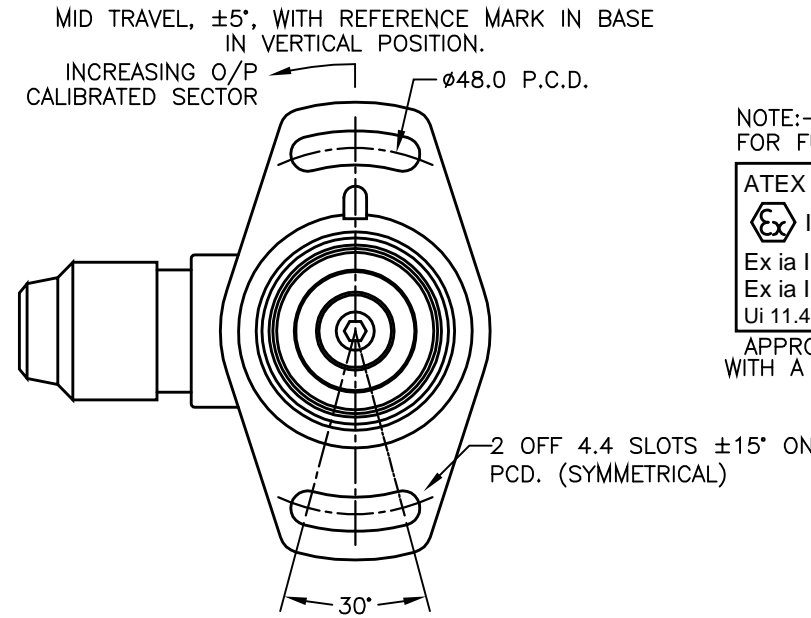
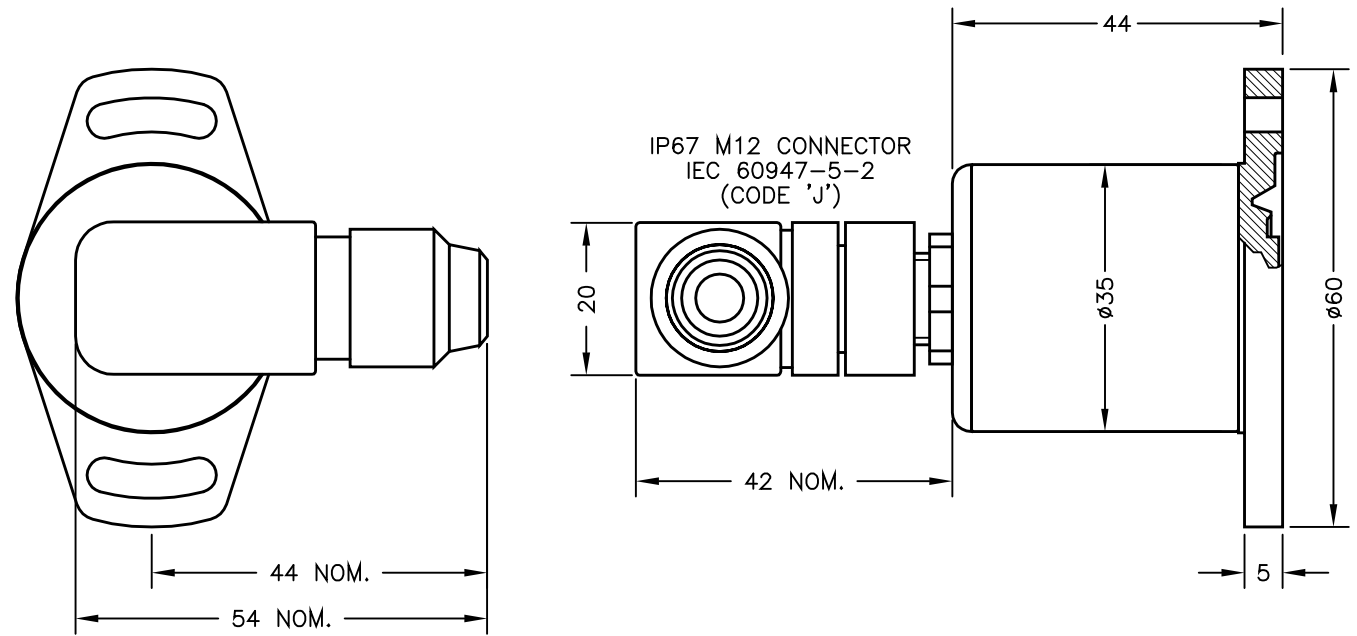
N.b. CONNECTOR ORIENTATION NOT GUARANEED.

ELECTRICAL OPTIONS/ SPECIFICATIONS

<u>OUTPUT</u>	<u>SUPPLY</u>
0.5 TO 4.5V RATIO METRIC	5V
SUPPLY CURRENT 12mA TYP. 20mA MAX.	
CONNECTOR (MAXIMUM CONDUCTOR CROSS SECTION 0.75mm ²)	
:1	+Ve
:2	OUTPUT
:3	0V
:4	BODY

RANGE OF DISPLACEMENT FROM 0-15° TO 0-160° e.g.76°, IN INCREMENTS OF 1°.

BODY MATERIAL:- STAINLESS STEEL.
FLANGE BASE MATERIAL:- STAINLESS STEEL.



NOTE:- READ INSTALLATION SHEET E603-19 FOR FULL INSTRUCTIONS FOR USE.

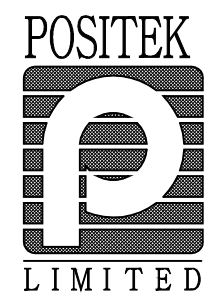
ATEX / IECEx APPROVED TO

II 1GD

Ex ia IIC T4 Ga (Ta= -40° to +80°C)
Ex ia IIIC T135°C Da (Ta= -40° to +80°C)
Ui 11.4V, Ii 0.2A, Pi 0.51W

APPROVED FOR USE IN CONJUNCTION WITH A GALVANICALLY ISOLATED BARRIER.

D	ADDITIONAL DIMS/VIEWS ADDED.	PDM
E	DISP. 15 TO 160° WAS 20 TO 160° RAN442.	PDM
F	APPROVAL STANDARDS UPDATED - RAN465, REGISTRATION MARK CORRECTED RAN490.	PDM
G	RANGE NOTE AMENDED ~ RAN1200	PDM



D	06/07/11		CHECKED BY	X	±0.4
E	20/11/13		RDS	X.X	±0.2
F	14/04/14			X.XX	±0.1
G	13/09/17				DIMS mm
DESCRIPTION		E603 INTRINSICALLY SAFE LARGE ANGLE TILT SENSOR			
SCALE		DRAWING NUMBER E603-11 REV G			
10mm		SHEET 1 OF 1			