

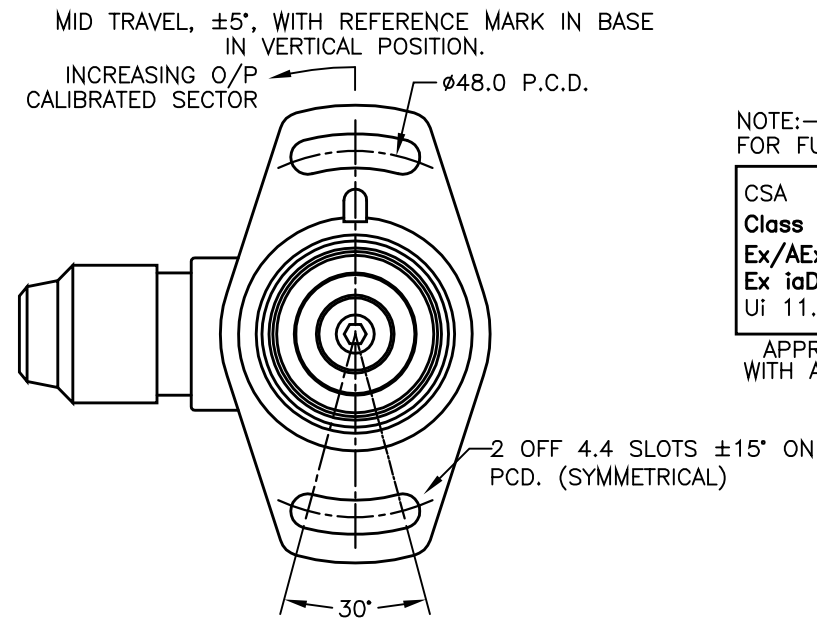
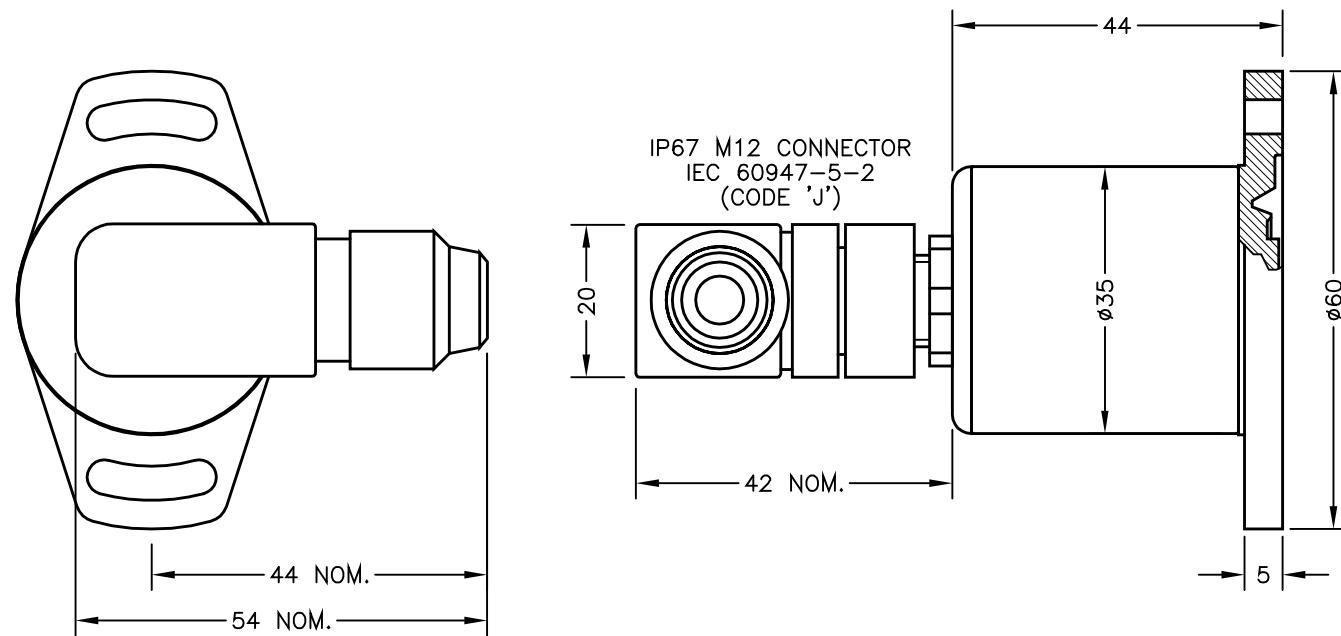
N.b. CONNECTOR ORIENTATION NOT GUARANEED.

ELECTRICAL OPTIONS/ SPECIFICATIONS

<u>OUTPUT</u>	<u>SUPPLY</u>
0.5 TO 4.5V RATIO METRIC	5V
SUPPLY CURRENT 12mA TYP. 20mA MAX.	
CONNECTOR (MAXIMUM CONDUCTOR CROSS SECTION 0.75mm ²)	
:1	+Ve
:2	OUTPUT
:3	0V
:4	BODY

RANGE OF DISPLACEMENT FROM 0-15° TO 0-160° e.g.76°, IN INCREMENTS OF 1°.

BODY MATERIAL:- STAINLESS STEEL.
FLANGE BASE MATERIAL:- STAINLESS STEEL.



NOTE:- READ INSTALLATION SHEET H000-19 FOR FULL INSTRUCTIONS FOR USE.

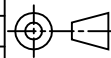
CSA APPROVED TO Class I Zone 0 Ex/AEx ia IIC T4 (Ta= -40 to 80°C) Ex iaD 20 T93°C(Ta= -40 to 80°C) Ui 11.4V, Ii 0.2A, Pi 0.51W APPROVED FOR USE IN CONJUNCTION WITH A GALVANICALLY ISOLATED BARRIER.
--

A	FIRST ISSUE.	RDS
B	DISP. 15 TO 160° WAS 20 TO 160° RAN442.	PDM
C	REGISTRATION MARK CORRECTED RAN490.	PDM
D	RANGE NOTE AMENDED ~ RAN1200	PDM



DRAWINGS NOT TO BE CHANGED WITHOUT REFERENCE TO THE CHANGE PROCEDURE. CHANGES TO PARTS USED IN INTRINSICALLY SAFE PRODUCT MUST BE APPROVED BY THE AUTHORISED PERSON
THIS IS AN UNCONTROLLED PRINT AND WILL NOT BE UPDATED.



A	25/3/13	 CHECKED BY X ±0.4 RDS X.X ±0.2 X.XX ±0.1 DIMS mm
B	20/11/13	
C	14/04/14	
D	13/09/17	
		DESCRIPTION
		H603 INTRINSICALLY SAFE LARGE ANGLE TILT SENSOR
SCALE 10mm ↔		DRAWING NUMBER H603-11 REV D SHEET 1 OF 1