

The VLX-60 is a member of the VLX series of Electric Encoders™ a product line based on Netzer Precision Motion Sensor proprietary technology. EE products are characterized by features that enable unparalleled performance:

- Low profile (<10 mm)
- Hollow shaft (Stator / Rotor)
- No bearings or other contact elements
- High resolution and unparalleled precision
- High tolerance to temperature extremes, shock, moisture, EMI, RFI and magnetic fields
- Very low weight
- Holistic signal generation
- Digital interfaces for absolute position

### General

Angular resolution <sup>1</sup>	18 bits ; 262,144 CPR
Static error	< 0.015°
Maximum operational speed	4,000 rpm
Measurement range	Single turn, unlimited

### Mechanical

Allowable mounting eccentricity	±0.1 mm
Allowable rotor axial motion	±0.1 mm
Rotor inertia	8,669 gr · mm <sup>2</sup>
Total weight	28 gr
Outer Ø / Inner Ø/ Height	60 / 25/ 10 mm
Material (stator, rotor)	FR4
Nominal air gap (stator, rotor)	0.6 mm

### Electrical

Supply voltage	5V ± 5%
Current consumption	<70 mA
Interconnection	Connector

The holistic structure of the Electric Encoder™ makes it unique: Its output reading is the averaged outcome of the entire area of the rotor. This feature allows the EE a tolerant mechanical mounting and to deliver outstanding precision.

Due to the absence of components such as ball bearings, flexible couplers, glass discs, light sources and detectors along with very low power consumption enables the EE to deliver virtually failure-free performance in nearly all types of conditions.

The internally shielded, DC- operated EE includes an electric field generator, a field receiver, sinusoidal-shaped dielectric rotor, and processing electronics.

The EE output is a digital serial synchronous with absolute position single turn.

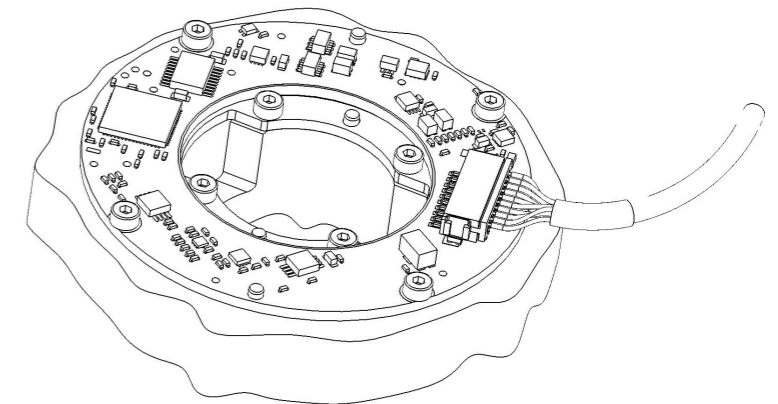
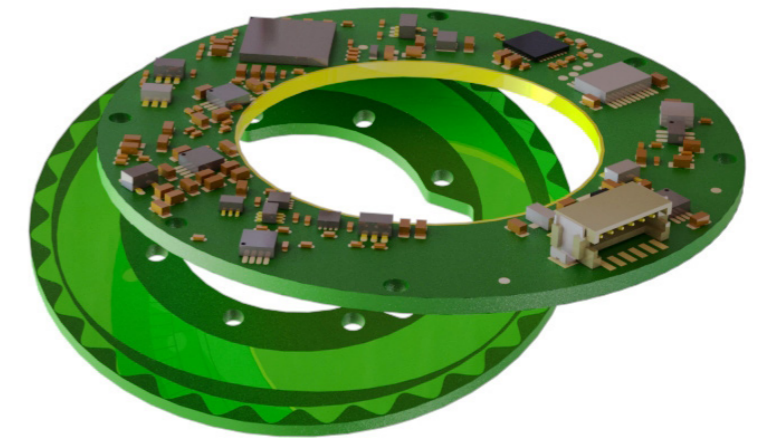
This combination of high precision, low profile and, low weight has made Netzer Precision encoders highly reliable and particularly well suited to a wide variety of industrial automation applications.

### Environmental

EMC	IEC 6100-6-2, IEC 6100-6-4
Operating temperature	-20°C to +65°C
Storage temperature	-40°C to +100°C
Relative humidity	98% Non condensing
Shock endurance	100 g for 11 ms
Vibration endurance	20 g 10 – 2000 Hz
Protection	IP 40

### Calibration / Compensation

Offsets	Automatic / Manual
Signals level	Automatic / Manual
Signals integrity	Error / Warning report
Thermal	Error / Warning report
Zero position	Manual

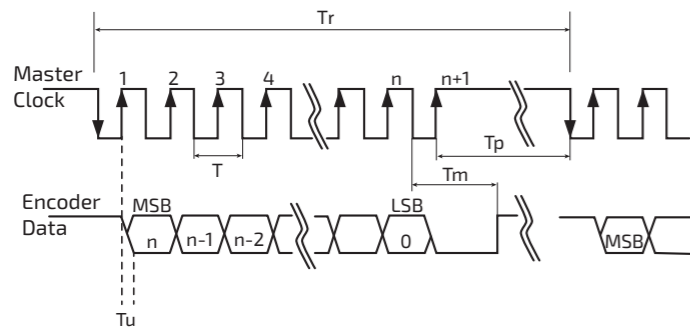


● Moving. Precisely. With You.



## Digital SSI Interface

Synchronous Serial Interface (SSI) is a point to point serial interface standard between a master (e.g. controller) and a slave (e.g. sensor) for digital data transmission.



### SSI / BiSS output signal parameters

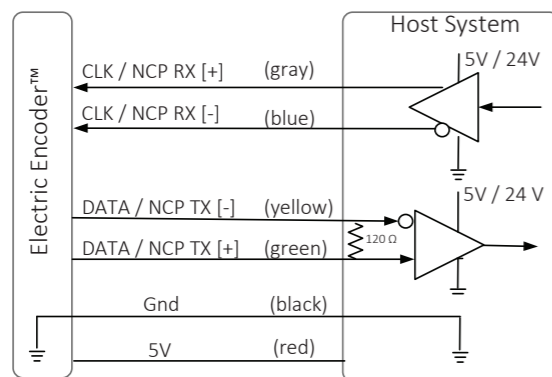
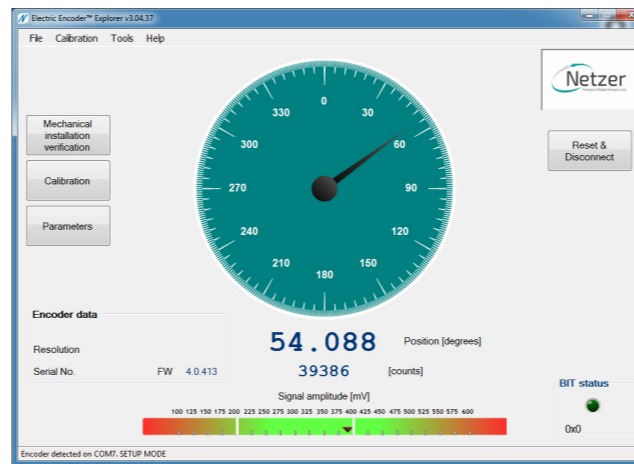
Signal latency	50 μSec
Output code	Binary
Serial output	Differential RS-422
Clock	Differential RS-422
Clock Frequency	0.1 ÷ 5.0 MHz
Position update rate	30 KHz

### SSI / BiSS interface wires color code

Clock +	Grey	Clock
Clock -	Blue	
Data -	Yellow	Data
Data +	Green	
GND	Black	Ground
+5V	Red	Power supply

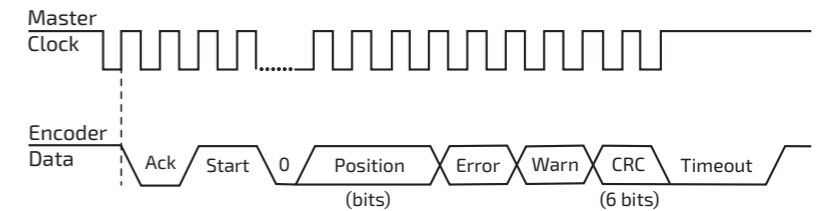
### Software tools: (SSI / BiSS - C)

Advanced calibration and monitoring options are available by using the factory supplied Electric Encoder Explorer software, This facilitates proper mechanical mounting, offsets calibration and advanced signal monitoring.



## Digital BiSS-C Interface

BiSS - C Interface is unidirectional serial synchronous protocol for digital data transmission where the Encoder acts as "slave" transmits data according to "Master" clock. The BiSS protocol is designed in B mode and C mode (continuous mode). The BiSS-C interface as the SSI is based on RS-422 standards.



Bit #		Description	Default	Length
28	Ack	Period during which the encoder calculates the absolute position, one clock cycle	0	1/clock
27	Start	Encoder signal for "start" data transmit	1	1 bit
26	"0"	"start" bit follower	0	1 bit
8...25	AP	Absolute Position encoder data		
7	Error	Error (BIT Optional)	1	1 bit
6	Warn.	Warning (non active)	1	1 bit
0...5	CRC	The CRC polynomial for position, error and warning data is: $x^6 + x^1 + x^0$ . It is transmitted MSB first and inverted. The start bit and "0" bit are omitted from the CRC calculation.		6 bits
	Timeout	Elapse between the sequential "start" request cycle's.		25 μs

● Moving. Precisely. With You.

## Ordering Code

VLX - 60 - S H - C H

VLX Product line

Outer Diameter

Output

S	SSi
I	BiSS

Resolution

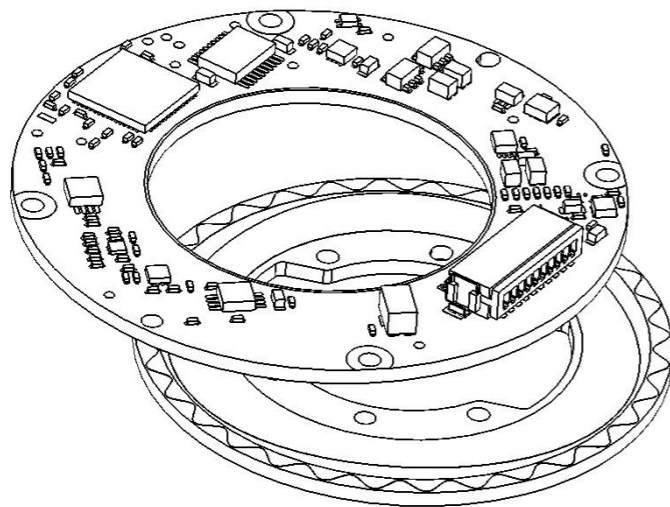
Code	Bit	CPR
G	18	262,144
H	19 <sup>1</sup>	524,288

Notes

<sup>1</sup> Resolution - optional, call

Interconnection

H	Connector - Horizontal
V	Connector - Vertical

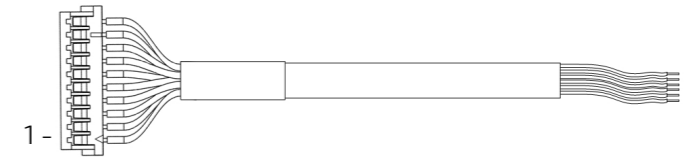


## Optional Accessories

Interconnection - connector HRS DF13-10S-1.25

# SSi / BiSS Remarks

8	5V	P.S.
7	GND	GND / RTN
6	Data+	Data / NCP TX
5	Data-	
4	Clock-	Clock / NCP RX
3	Clock+	



Accessories - cables, optional

SSi / BiSS Remarks

CB-00088-250	AWG30, 250 mm
CB-00088-500	AWG30, 500 mm

Netzer Cat No.: CB 00014

Provider: Ray-Q USA. CAT No.: RQ 213210

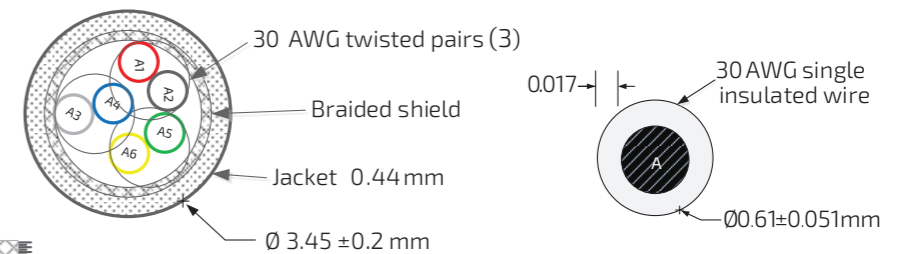
Cable: 30 AWG twisted pair (3): 2 (30 AWG 25/44 tinned copper, Insulation: PFE  $\varnothing$  0.15 to  $\varnothing$  0.6  $\pm$  0.05 OD).

Temperature rating: -60 to +150 Deg C.

Braided shield: Thinned copper braided 95% min. coverage.

Jacket: 0.44 silicon rubber (NFA 11-A1)  $\varnothing$ 3.45  $\pm$  0.2 OD

Pair #	Color
A1-A2	Red / Black
A3-A4	Gray / Blue
A5-A6	Green / Yellow



Related documents

LX-60 User Manual : Mechanical , Electrical and calibration setup.

Demonstration Kit

DKIT-VLX-60-SG with SSi interface

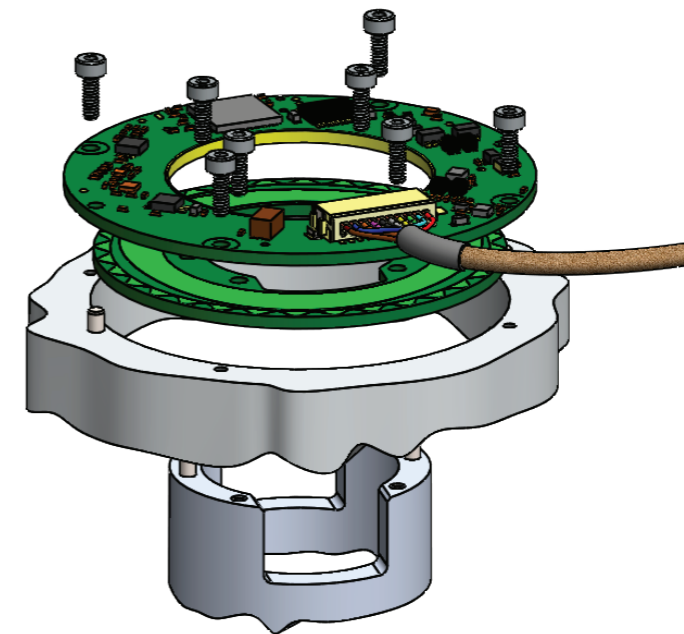
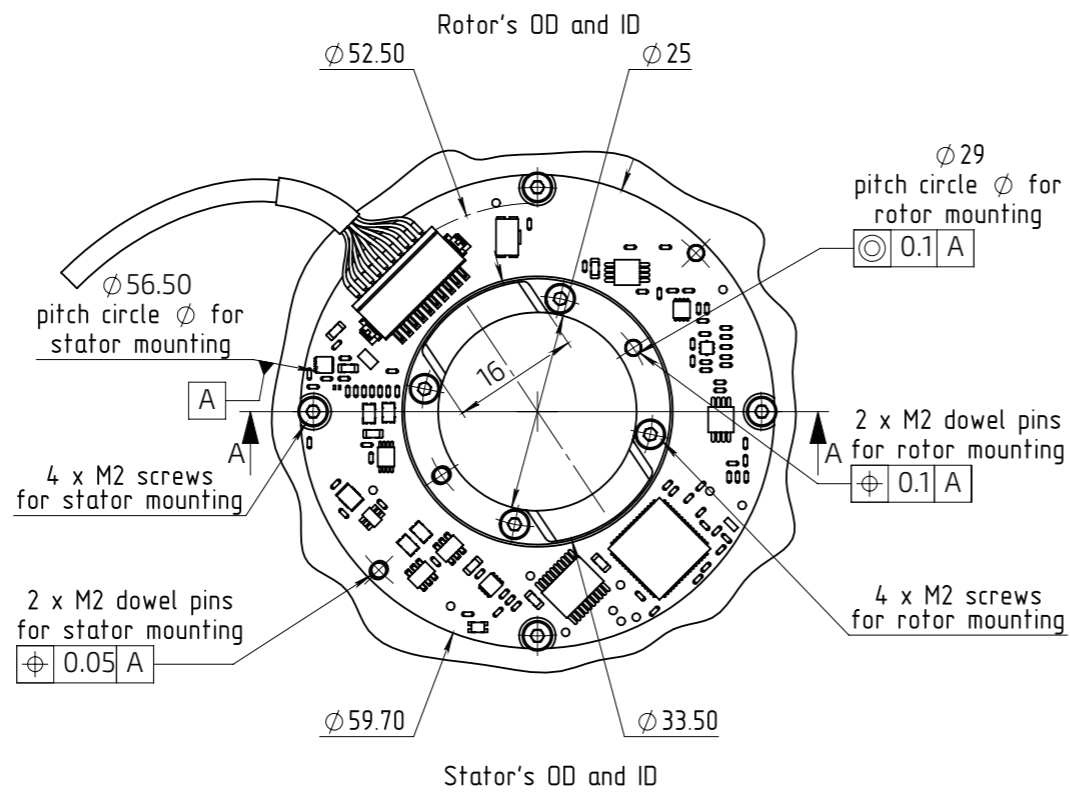
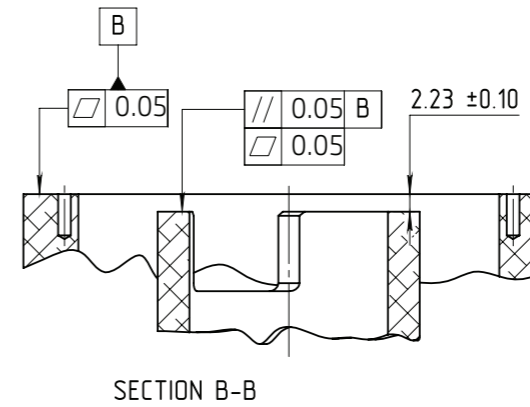
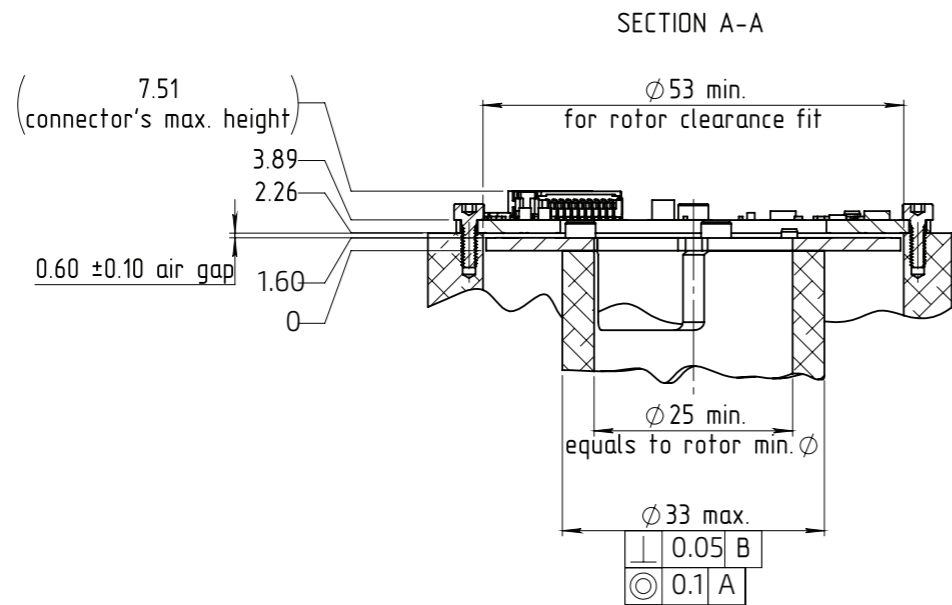
DKIT-VLX-60-IG with BiSS interface

Includes, mounted encoder on rotary jig, and RS-422 to USB converter.

Moving. Precisely. With You.

Corporate Headquarters

Netzer Precision Motion Sensors Ltd. | Misgav Industrial Park, P.O. Box 1359 | D.N. Misgav, 2017400 Israel  
Tel : +972 4 999 0420 | global-info@netzerprecision.com | www.netzerprecision.com



UNLESS OTHERWISE SPECIFIED

Dimensions are in: mm  
Surface Finish: N6  
Linear Tolerances: ±0.5 deg  
All Chamfer: 0.1 mm x 45°

● Moving. Precisely. With You.