

The DS-58 is a member of the DS series of Electric Encoders™ a product line based on Netzer Precision Position Sensor proprietary technology. EE products are characterized by features that enable unparalleled performance:

- Low profile (10 mm)
- Hollow, floating shaft
- No bearings or other contact elements
- High resolution and unparalleled precision
- High tolerance to temperature extremes, shock, EMI, RFI and magnetic fields
- Very low weight
- Holistic signal generation
- Digital interfaces for absolute position

General

Angular resolution	18-20 bit
Maximum tested static error	±0.010°
Extended accuracy static error	±0.008°
Maximum operational speed	4,000 rpm
Measurement range	Single turn, unlimited
Rotation direction	Adjustable CW/CCW

* Default same direction from bottom side of the encoder

Mechanical

Allowable mounting eccentricity	±0.1 mm
Allowable axial mounting tolerance	±0.1 mm
Rotor inertia	684 gr · mm ²
Total weight	30 gr
Outer Ø /Inner Ø/ Height	58 / 20 / 10 mm
Material (stator, rotor)	Ultem™ polymer / TRVX-50

The holistic structure of the Electric Encoder™ makes it unique: Its output reading is the averaged outcome of the entire area of the rotor. This feature allows the EE a tolerant mechanical mounting and to deliver outstanding precision.

Due to the absence of components such as ball bearings, flexible couplers, glass discs, light sources and detectors along with very low power consumption enables the EE to deliver virtually failure-free performance in nearly all types of conditions.

The internally shielded, DC - operated EE includes an electric field generator, a field receiver, sinusoidal-shaped dielectric rotor, and processing electronics.

The EE output is a digital serial synchronous with absolute position single turn.

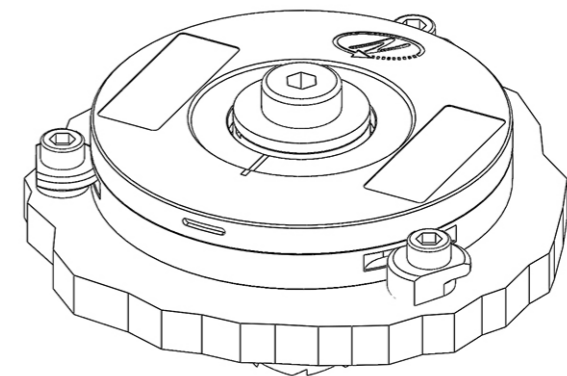
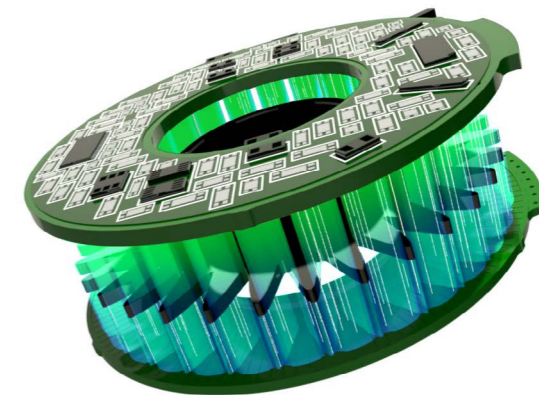
This combination of high precision, low profile and, low weight has made Netzer Precision encoders highly reliable and particularly well suited to a wide variety of industrial automation and harsh environment applications.

Electrical

Supply voltage	5V ± 5%
Current consumption	90 mA
Interconnection	Shielded cable

Environmental

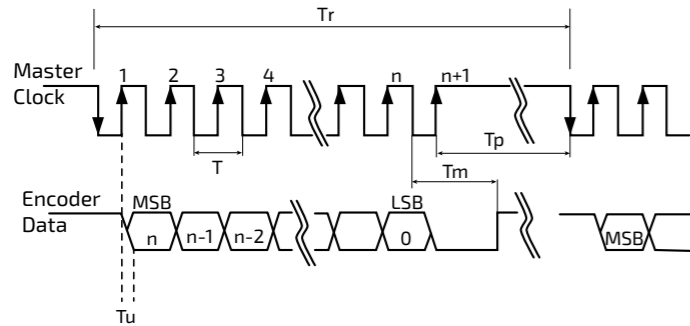
EMC	IEC 6100-6-2, IEC 6100-6-4
Operating temperature	-40°C to +85°C
Storage temperature	-50°C to +100°C
Relative humidity	98% Non condensing
Shock endurance	100 g for 11 ms
Vibration endurance	20 g 10 – 2000 Hz
Protection	IP 40





Digital SSI Interface

Synchronous Serial Interface (SSI) is a point to point serial interface standard between a master (e.g. controller) and a slave (e.g. sensor) for digital data transmission.



SSI / BiSS output signal parameters

Output code	Binary
Serial output	Differential RS-422
Clock	Differential RS-422
Clock frequency	0.1 ÷ 5.0 MHz
Position update rate	35 kHz (Optional - up to 375 kHz)

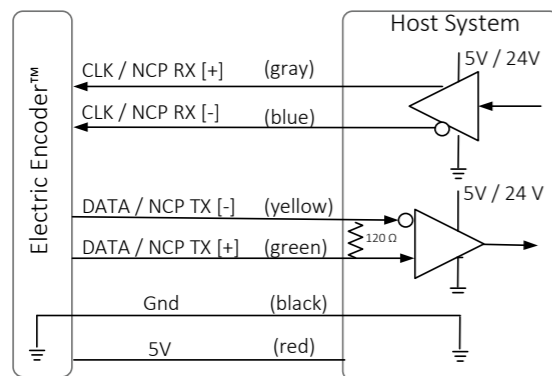
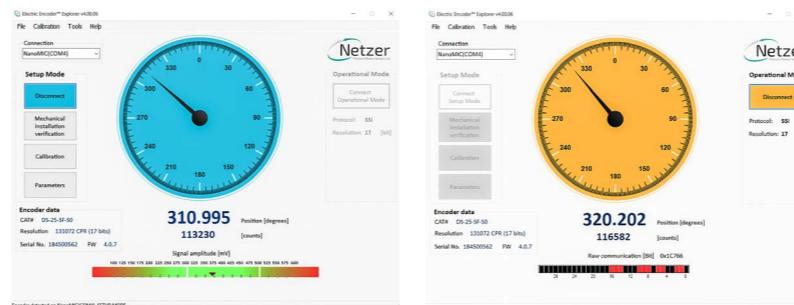
SSI / BiSS interface wires color code

Clock +	Grey	Clock
Clock -	Blue	
Data -	Yellow	Data
Data +	Green	
GND	Black	Ground
+5V	Red	Power supply

	Description	Recommendations
n	Total number of data bits	12 - 22
T	Clock period	
f= 1/T	Clock frequency	0.1 - 5.0 MHz
Tu	Bit update time	90 nsec
Tp	Pause time	26 - ∞ µsec
Tm	Monoflop time	>25 µsec
Tr	Time between 2 adjacent requests	Tr > n*T+26 µsec
fr=1/Tr	Data request frequency	

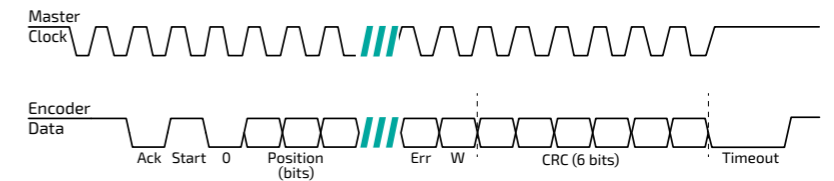
Software tools: (SSI / BiSS - C)

Advanced calibration and monitoring options are available by using the factory supplied [Electric Encoder Explorer software](#). This facilitates proper mechanical mounting, offsets calibration and advanced signal monitoring.



Digital BiSS-C Interface

BiSS - C Interface is unidirectional serial synchronous protocol for digital data transmission where the Encoder acts as "slave" transmits data according to "Master" clock. The BiSS protocol is designed in B mode and C mode (continuous mode). The BiSS-C interface as the SSI is based on RS-422 standards.



Bit #	Description	Default	Length
28	Ack	0	1/clock
27	Start	1	1 bit
26	"0"	0	1 bit
8...25	AP		
7	Error	1	1 bit
6	Warn.	1	1 bit
0...5	CRC		6 bits
	Timeout		25 µs

Ordering Code

DS - 58 - S G - S 0 - n n n

DS Product line

Outer Diameter

Output

S	SSi
I	BiSS

Resolution

Code	Bit	CPR
G	18	262,144
H	19	524,288
I	20	1048,578

BIT (Build In Test): optional

[]	None
B	BIT

EA Extended Accuracy

nnn Custom

Interconnection

0	250mm Flying leads (default)
1	500mm Flying leads
2	750mm Flying leads
3	1000mm Flying leads
C	Connector (optional)

S Shielded cable 250 mm

Cable Information

Cable: 30 AWG twisted pair (3)

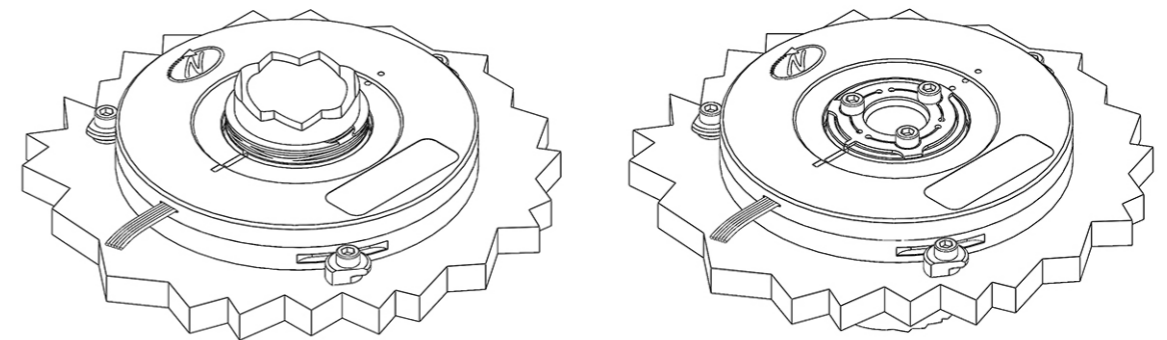
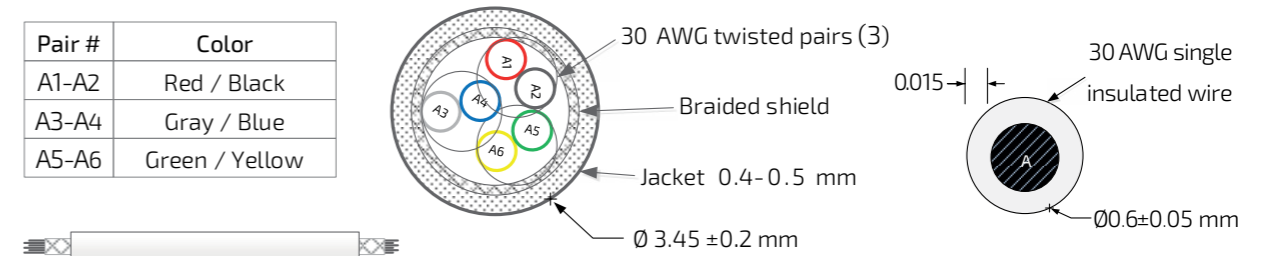
(30 AWG 25/0.05 tinned copper, Insulation: ETFE \varnothing 0.12-0.15 to \varnothing 0.6 \pm 0.05 OD)

Temperature rating: -60° to +150° C

Braided shield: Thinned copper braided 95% min. coverage

Jacket: 0.4-0.5 silicon rubber \varnothing 3.45 \pm 0.2 OD

Pair #	Color
A1-A2	Red / Black
A3-A4	Gray / Blue
A5-A6	Green / Yellow



Related documents

DS-58 User Manual: Mechanical, Electrical and calibration setup.

Optional Accessories

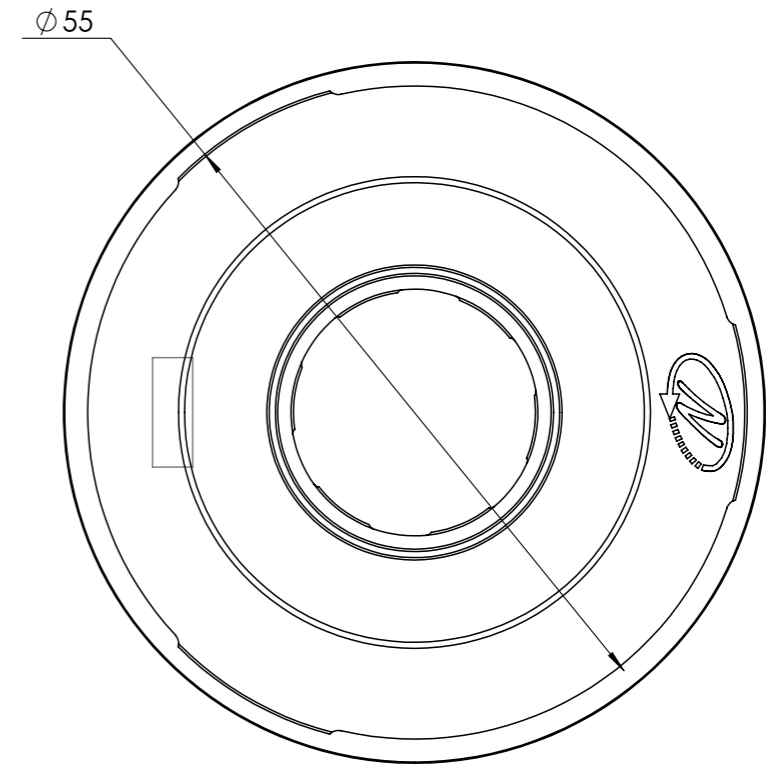
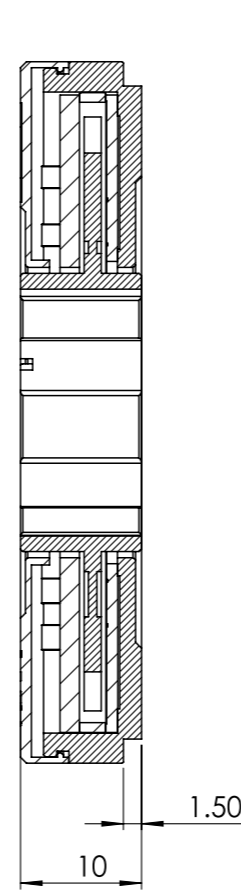
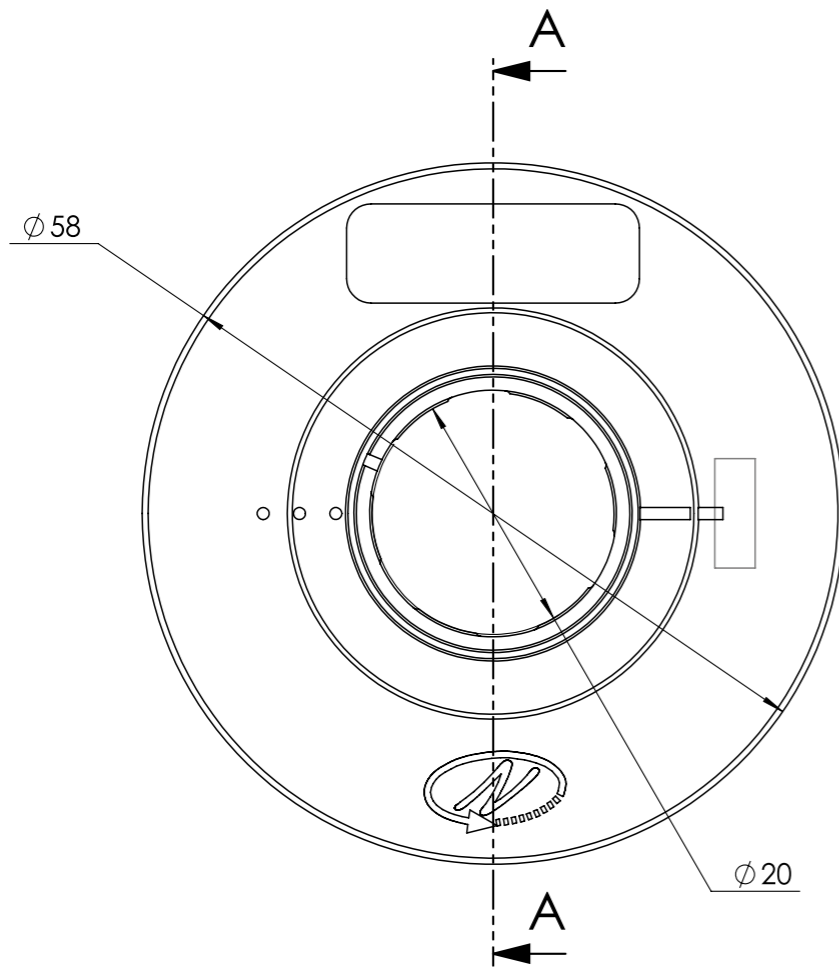
Demonstration Kit

DKIT-DS-58-SG-S0 - SSi interface

DKIT-DS-58-IG-S0 - BiSS interface

The Demo-kit Includes, mounted encoder on rotary jig, and RS-422 to USB converter.

ICD



SECTION A-A

Unless Otherwise Specified

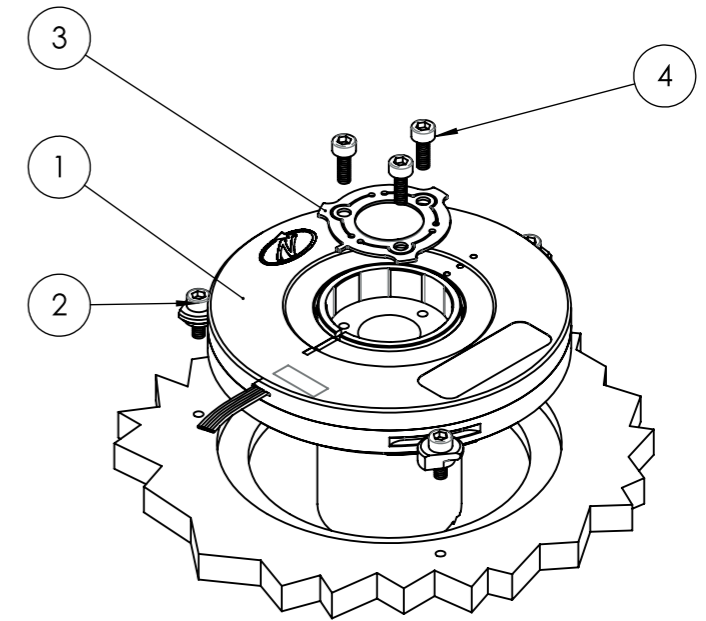
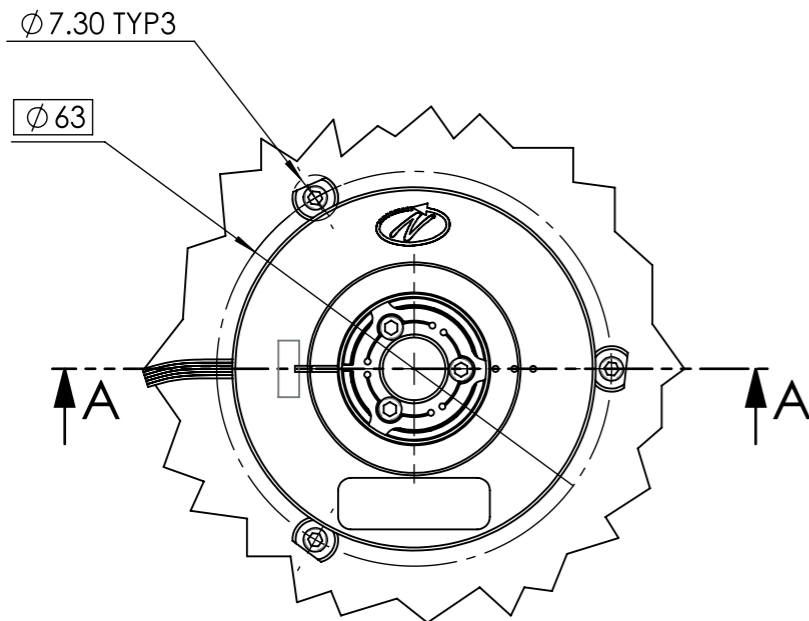
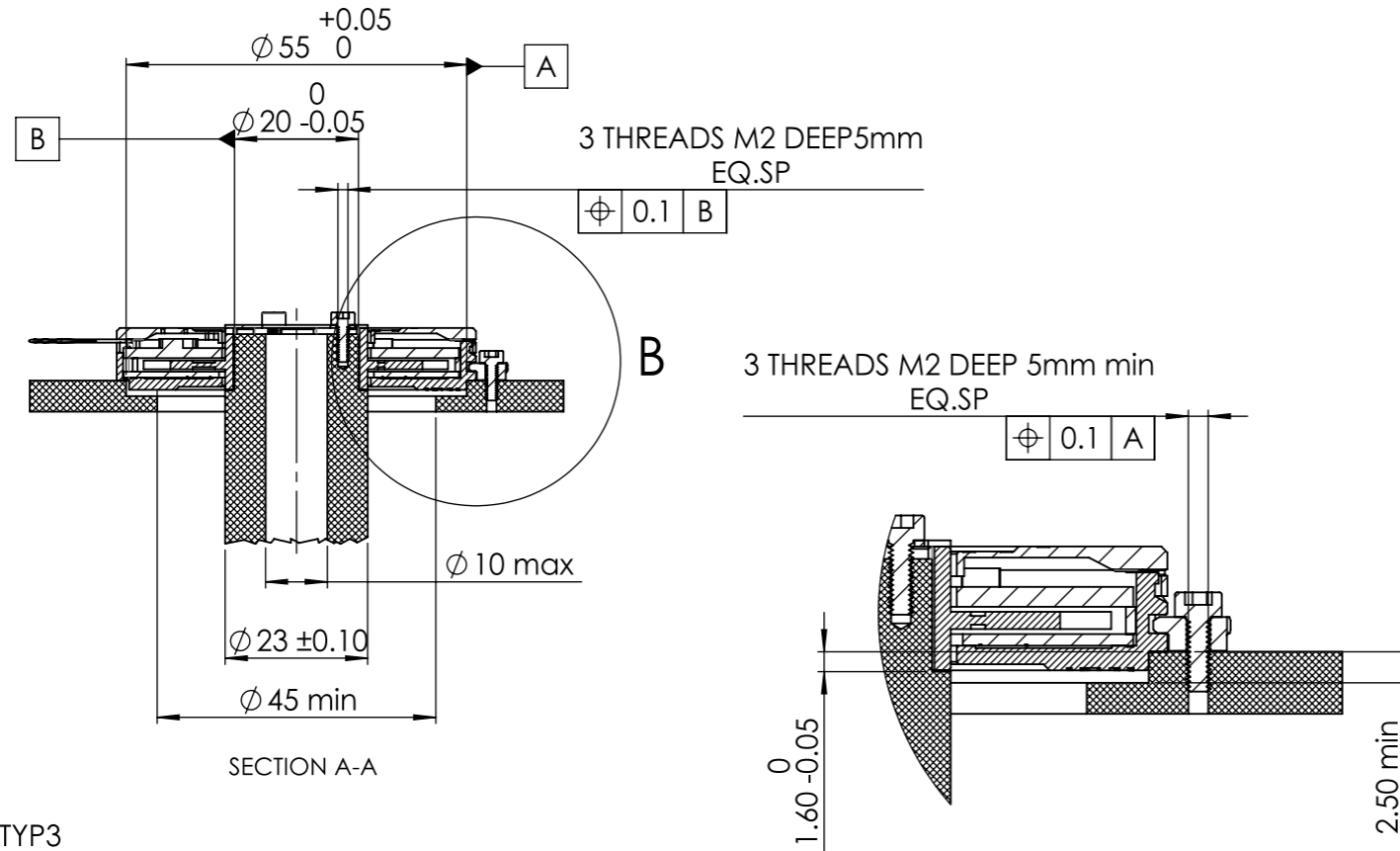
Dimensions are in: mm | Surface finish: N6

Linear tolerances

0.5-4.9: ± 0.05 mm | 5-30: ± 0.1 mm

31-120: ± 0.15 mm | 121-400: ± 0.2 mm

Shaft - End installation (step)



No	Part		Description	QTY.
1	DS-58	Included	DS-58 encoder	1
2	EAPK005	Included Kit	3 x M2 encoder clamps	1
3			Shaft end spring	1
4	MA-DS58-20-004	Optional Shaft end installation kit	Screw DIN 912 M2x4	3

Critical dimensions marked with "**"

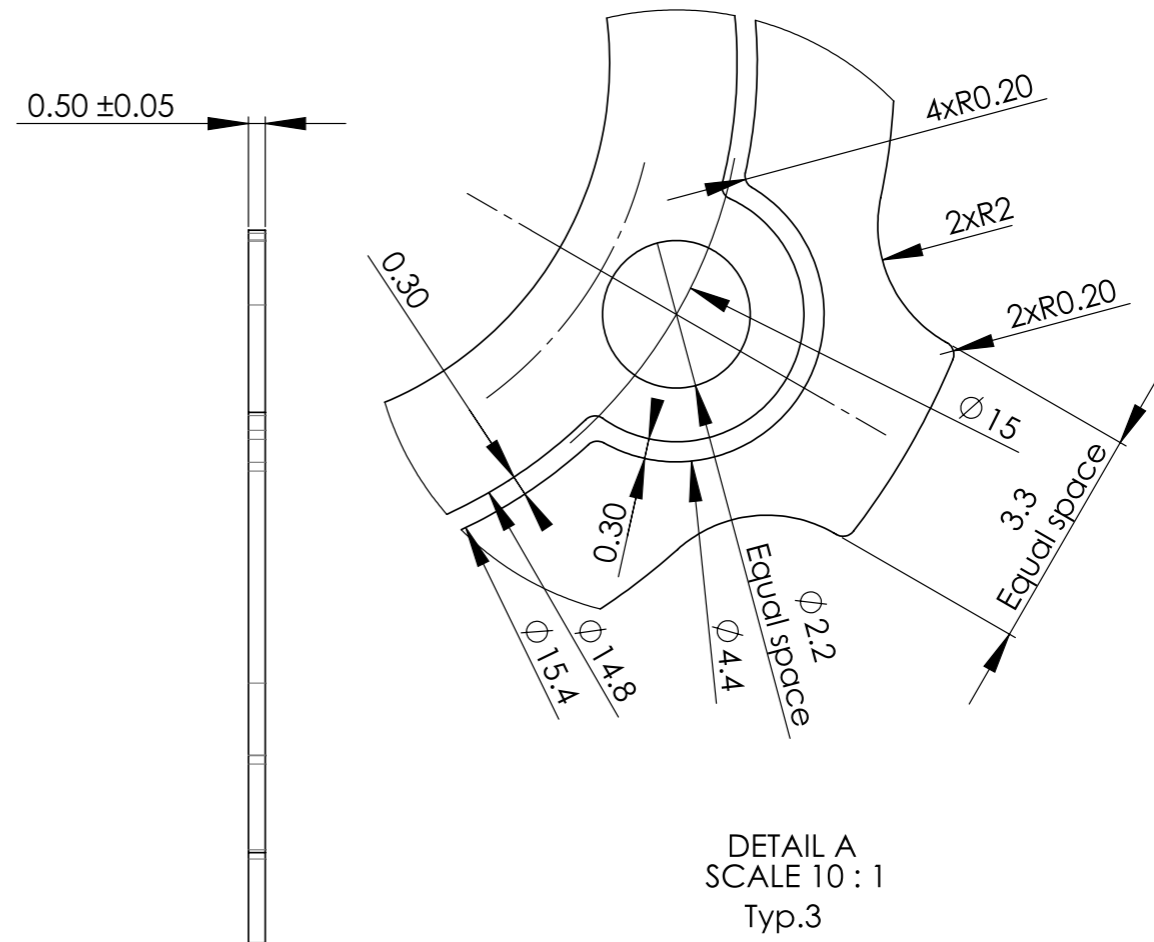
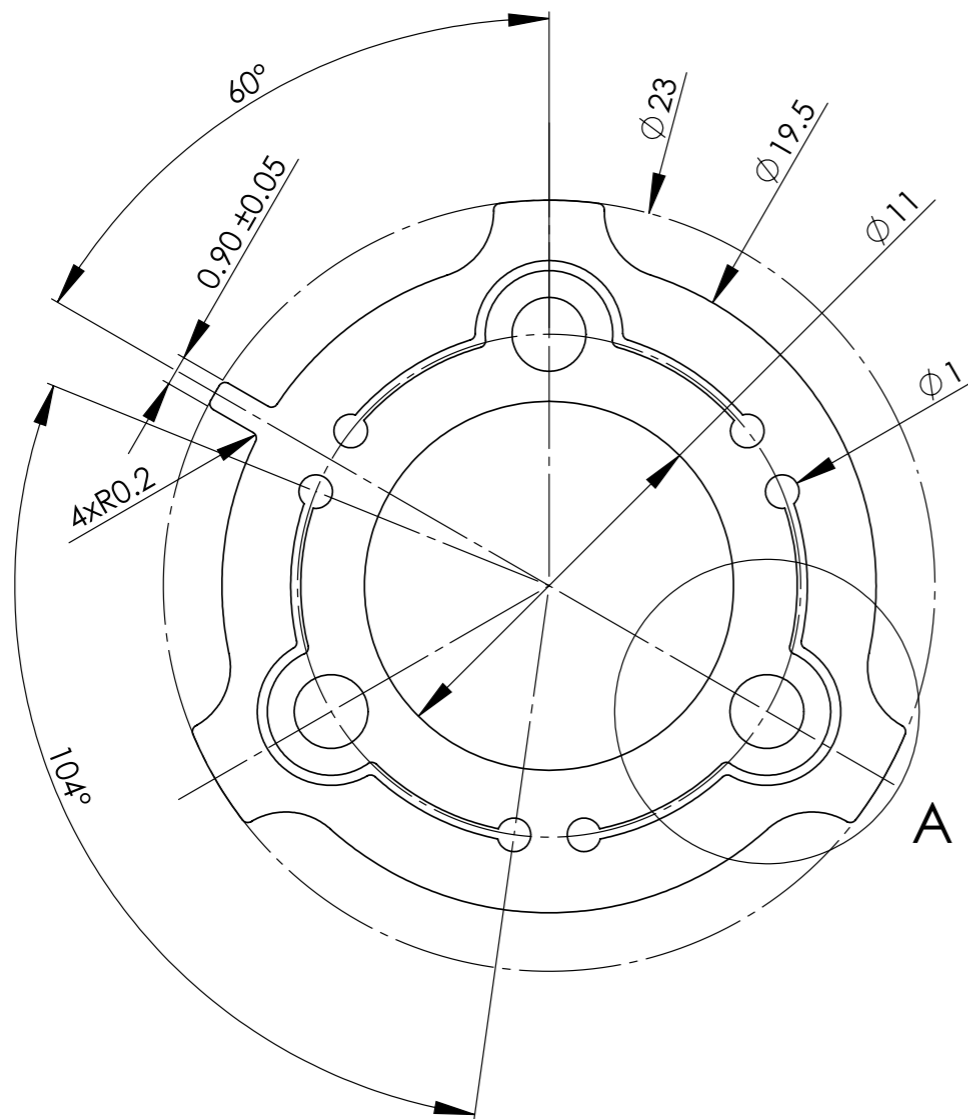
WARNING

Do not use Loctite or other glues containing Cyanoacrylate. We recommend to use 3M glue - Scotch-Weld™ Epoxy Adhesive EC-2216 B/A.

Unless Otherwise Specified

Dimensions are in: mm	Surface finish: N6
Linear tolerances	
0.5-4.9: ± 0.05 mm	5-30: ± 0.1 mm
31-120: ± 0.15 mm	121-400: ± 0.2 mm

DS-58 end shaft spring, MP-03037



Unless Otherwise Specified

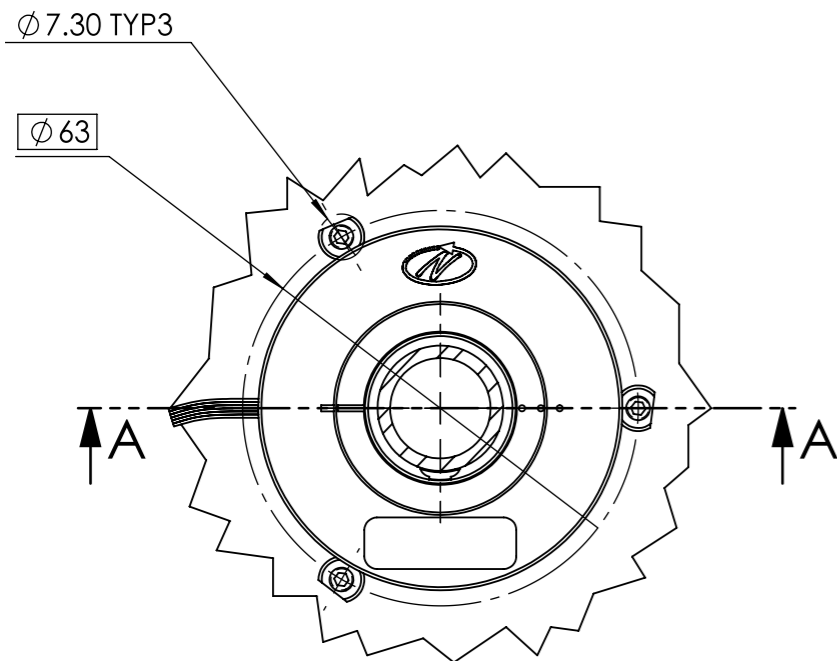
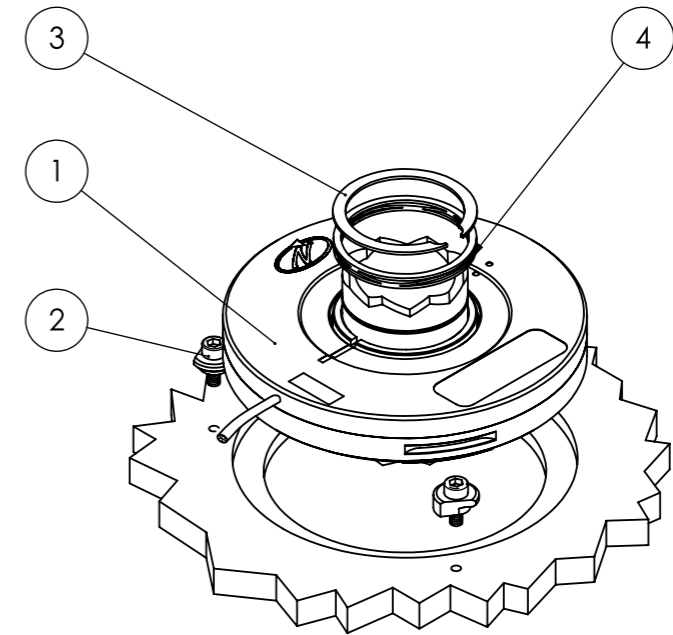
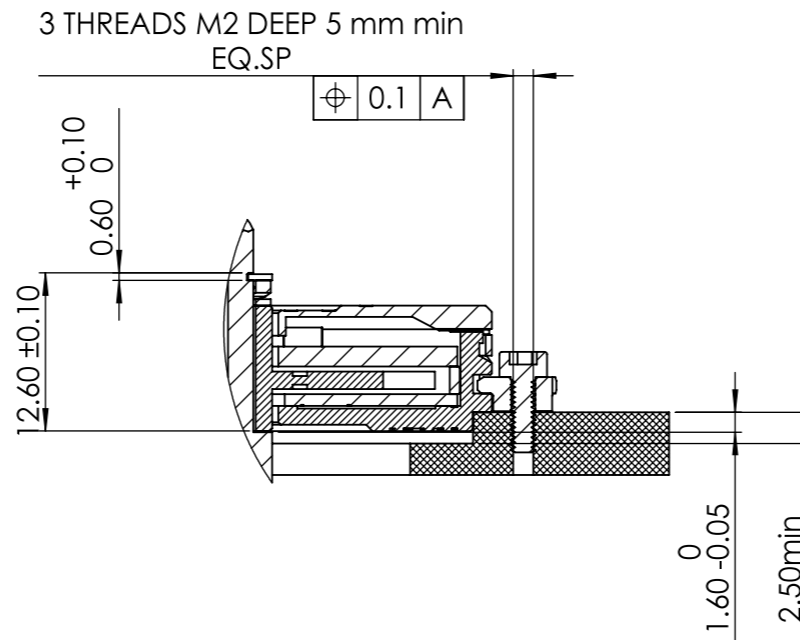
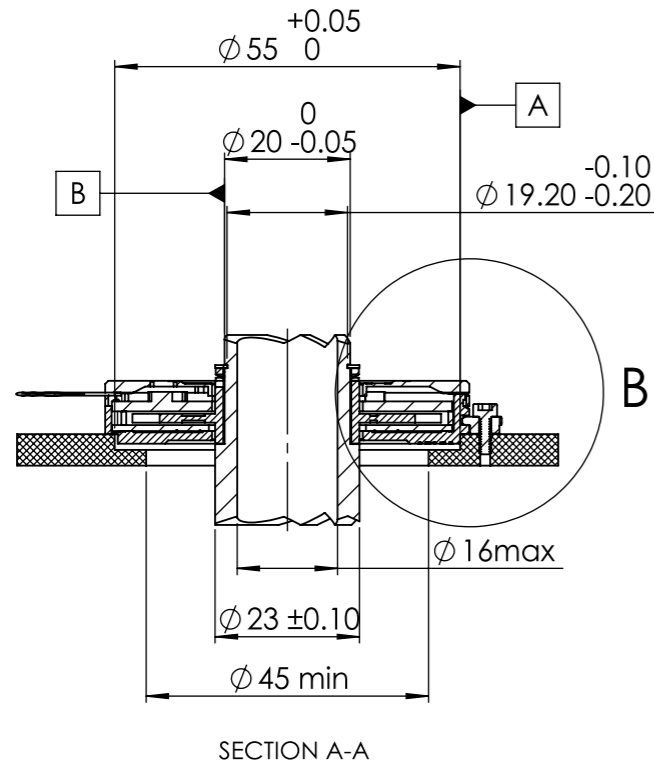
Dimensions are in: mm | Surface finish: N6

Linear tolerances

0.5-4.9: ±0.05 mm | 5-30: ±0.1 mm

31-120: ±0.15 mm | 121-400: ±0.2 mm

Shaft - MID installation (step)



No	Part			Description	QTY.
1	DS-58	Included		DS-58 encoder	1
2	EAPK005	Included	Kit	3 x M2 encoder clamps	1
3	MA-DS58-20-002	Optional	Shaft end installation kit	C-ring	1
4				Mid of shaft spring	1

Critical dimensions marked with "**"

Unless Otherwise Specified

Dimensions are in: mm	Surface finish: N6
Linear tolerances	
0.5-4.9: ±0.05 mm	5-30: ±0.1 mm
31-120: ±0.15 mm	121-400: ±0.2 mm

WARNING



Do not use Loctite or other glues containing Cyanoacrylate. We recommend to use 3M glue - Scotch-Weld™ Epoxy Adhesive EC-2216 B/A.